

NCA-2510

1U 19" Rackmount Network Appliance Built with Intel® Atom™ C3000 Processors (Codenamed Denverton)



Images are for reference only. See ordering information for SKU details.

■ Features

- Intel® Atom™ C3000 CPU (4 ~16 Cores)
- 1x GbE RJ45 Intel i210, 4x GbE RJ45 Intel i350-AM4, 4x SFP+ Intel Denverton Integrated (By SKU), 2x Pairs of Gen3 Bypass (By SKU)
- 1x NIC Module Slot, 2x USB 2.0
- 4x 288-pin DIMM DDR4 2400MHz ECC or Non-ECC UDIMM/RDIMM, Max. 128GB or 64GB
- 2x 2.5" HDD/SSD Drive Bays, 1x mSATA
- 1x PCI-E*8 HH/HL (Optional), 2x Cooling Fans
- Intel® QuickAssist Technology

■ Specifications

Platform	
Form Factor	1U 19" Rackmount
Processor Options	Intel® Atom™ C3000 4 ~16 Cores (Denverton)
CPU Socket	Onboard
Chipset	SoC
Security Acceleration	Intel® QuickAssist Technology
BIOS	AMI SPI Flash BIOS
System Memory	
Technology	DDR4 2400MHz ECC or non-ECC UDIMM/RDIMM
Max. Capacity	128GB or 64GB
Socket	4x 288-pin DIMM
Networking	
Ethernet Ports	1 x GbE RJ45 Intel® i210 4 x GbE RJ45 Intel® i350-AM4 4 SFP+ Intel® Denverton Integrated (By SKU)
Bypass	2 Pairs Gen3 (by SKU)
NIC Module Slot	1
LOM	
IO Interface	1 x RJ45 (By SKU)
OPMA Slot	Yes
I/O Interface	
Reset Button	1
LED	Power/Status/Storage
Power Button	1 x ATX Power Switch
Console	1 x RJ45
USB	2 x USB 2.0
LCD Module	2 x 20 Character LCM, 4 x Keypads
Display	From OPMA Slot (Optional)
Power Input	AC Power Inlet on PSU

Storage	
HDD/SSD Support	2 x 2.5" Bay
Onboard Slots	1 x mSATA
Expansion	
PCIe	1 x PCI-E*8 HH/HL (Optional)
mini-PCIe	N/A
Miscellaneous	
Watchdog	Yes
Internal RTC with Li Battery	Yes
TPM	Yes (Optional)
Cooling	
Processor	Passive CPU Heatsink
System	2 x Cooling Fans with Smart Fan
Environmental Parameters	
Temperature	0~40°C Operating -20~70°C Non-Operating
Humidity (RH)	5~90% Operating 5~95% Non-Operating
System Dimensions	
(WxDxH)	438 x 321 x 44 mm
Weight	4.4 kg
Package Dimensions	
(WxDxH)	540 x 500 x 230 mm
Weight	8 kg
Power	
Type / Watts	150W ATX Single PSU
Input	AC 90V~264V @47~63Hz
Certification	
Approvals and Compliance	RoHS, CB

Product I/O View

Images are for reference only. See ordering information for SKU details.



A LCM w/ Keypads

B Console Port

C USB 2.0

D IPMI & MGMT

E GbE & SFP+ Ports

F LAN Module

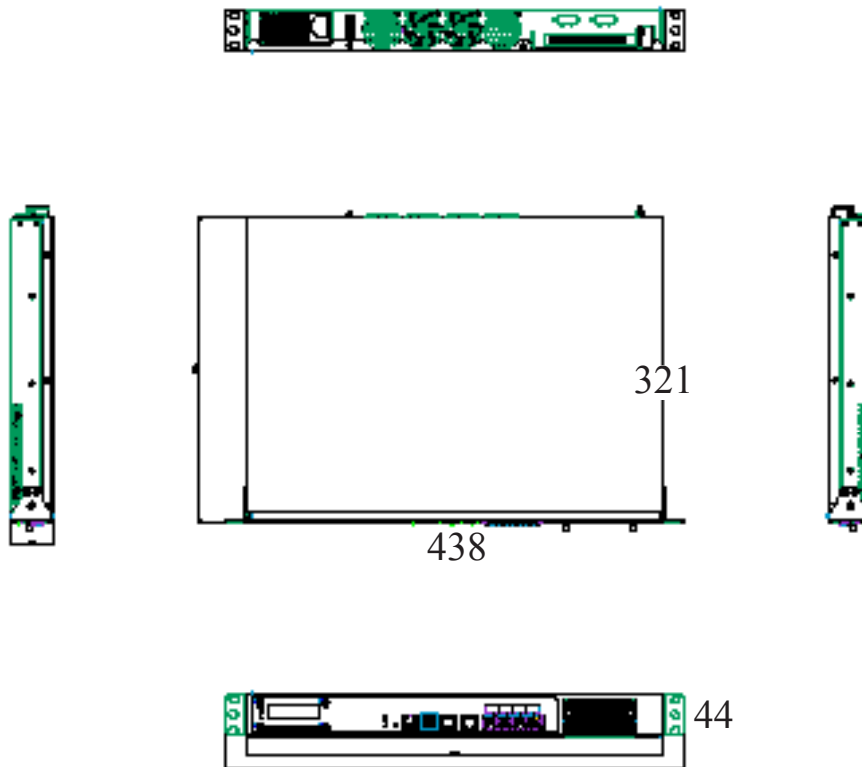
G PCI-E*8

H Cooling Fans

I Power On/Off

J 150W PSU

Dimensions (WxDxH): 438 x 321 x 44 mm



Ordering Information

NCA-2510A	Intel C3958 16 Core with QAT + 5x GbE + 4x SFP+, 1x NIC (PCIe8/PCIe2X4)
NCA-2510B	Intel C3758 8 Core with QAT + 5x GbE + 4x SFP+, 1x NIC (PCIe8/PCIe2X4)
NCA-2510C	Intel C3758 8 Core with QAT + 5x GbE, 1x NIC (PCIe8/PCIe2X4)
NCA-2510D	Intel C3558 4 Core with QAT + 5x GbE

V1-2022.06.27

Lanner

© Lanner Electronics Inc. All rights reserved.
All product specifications are subject to change without notice.
contact@lannerinc.com | www.lannerinc.com

NCA-2510