

NCA-2522

Multi-core x86 Network Appliance with Intel® Atom P5300 CPU (Codenamed Snow Ridge NS)



■ Features

- Intel® Atom P5300 CPU (Codenamed Snow Ridge NS)
- DDR4 2933MHz REG Or Non-ECC UDIMM, Max. System Memory 256GB
- 8x GbE RJ45, 4x 10G SFP+, 4x 10G SFP+ Via SFI Signal (By Project)
2x USB 2.0, 1x Console, 1x VGA (Optional)
- 1x NIC Module, 2x Pairs Of Gen3 Bypass
- 1x PCIe*8 Or 2x PCIe*4 FH/HL (By Project), 1x Mini-PCIe, 1x M.2, Support For 2x 2.5" HDD/SSD

■ Specifications

Processor System

CPU	Intel® Atom P5300 (Snow Ridge NS)
Frequency	2.2GHz
Core Number	8~24
BIOS	AMI SPI Flash BIOS
Chipset	SoC

Memory

Technology	DDR4 2933MHz REG Or Non-ECC UDIMM
Max. Capacity	256 GB
Socket	4x 288-pin DIMM

Ethernet

Controller	8x GbE RJ45 Intel i350-AM4, 4x 10G SFP+ Intel SoC Integrated MAC, 4x 10G SFP+ Intel C827 Via SFI Signal (By Project)
Speed	10/100/1000 Mbps
Interface	RJ45/SFP+
Bypass	2x Pairs Of Gen3

Storage

HDD/SSD Support	2x 2.5" Internal
Storage Expansion	1x M.2 (SATA III/PCIe*2 Signal)

I/O

Reset Button	1x Reset Button, Software Reset
Console	1x RJ45
USB	2x USB 2.0
IPMI	N/A
Display	1x VGA From OPMA Slot (Optional)

Expansion

PCIe	1x PCIe*8 Or 2x PCIe*4 FH/HL (By Project)
PCI	N/A
Mini-PCIe/M.2	1x Mini-PCIe (PCIe/USB2.0)
SIM	

Cooling

Processor	Passive CPU Heatsink
System	3x Cooling Fans With Smart Fan

Environment

Operating Temperature	0 ~ 40°C
Storage Temperature	-20 ~ 70°C
Relative Humidity	5% ~ 90%, Operating 5% ~ 95%, Non-operating

Miscellaneous

LCD Module	N/A
Watchdog Timer	Yes
Internal RTC with Li Battery	Yes

Mechanical

Fanless	No
Dimension (W x H x D)	438 x 44 x 429 mm
Weight	10.1 kg
Mounting	Rackmount

Power

Type / Watts	300W 1+1 AC/DC Redundant CRPS PSU
Input	AC 90~264V@47~63Hz

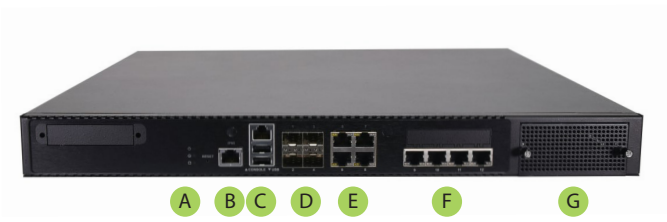
Driver Support

Microsoft Windows	N/A
Linux	Linux

Certification

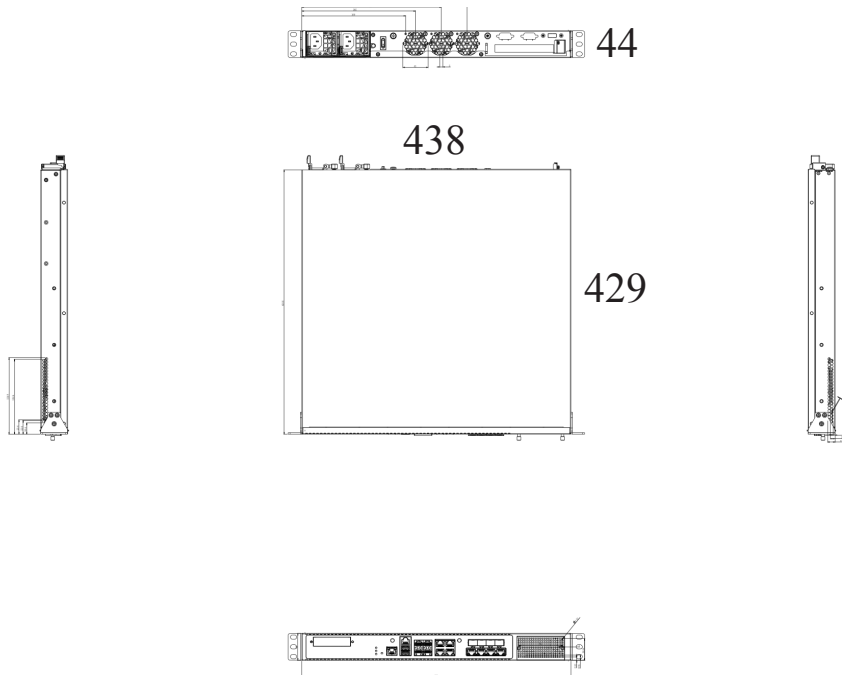
EMC	CE/FCC Class A
Safety	RoHS, UL

Product I/O View



- A** Status LED
- B** LOM (Optional)
- C** 1x Console & 2x USB 2.0
- D** 4x 10G SFP+
- E** 4x GbE RJ45
- F** 4x 10G SFP+ (By Project) & 4x GbE RJ45
- G** 1x NIC Module
- H** 1x PCIe
- I** 3x Fans
- J** Power On/Off
- K** Redundant PSU

Dimensions 438 x 44 x 429 mm



Ordering Information

NCA-2522A	Intel® Atom 24C P5362 With QAT, 4x SFP+ And 8x GbE RJ45 With 2 Pairs Of Bypass, 1x NIC Module
NCA-2522B	Intel® Atom 20C P5352 With QAT, 4x SFP+ And 8x GbE RJ45 With 2 Pairs Of Bypass, 1x NIC Module
NCA-2522C	Intel® Atom 16C P5342 With QAT, 4x SFP+ And 8x GbE RJ45 With 2 Pairs Of Bypass, 1x NIC Module
NCA-2522D	Intel® Atom 12C P5332 With QAT, 4x SFP+ And 8x GbE RJ45 With 2 Pairs Of Bypass, 1x NIC Module
NCA-2522E	Intel® Atom 8C P5322 With QAT, 4x SFP+ And 8x GbE RJ45 With 2 Pairs Of Bypass, 1x NIC Module

V.1-2024.03.28